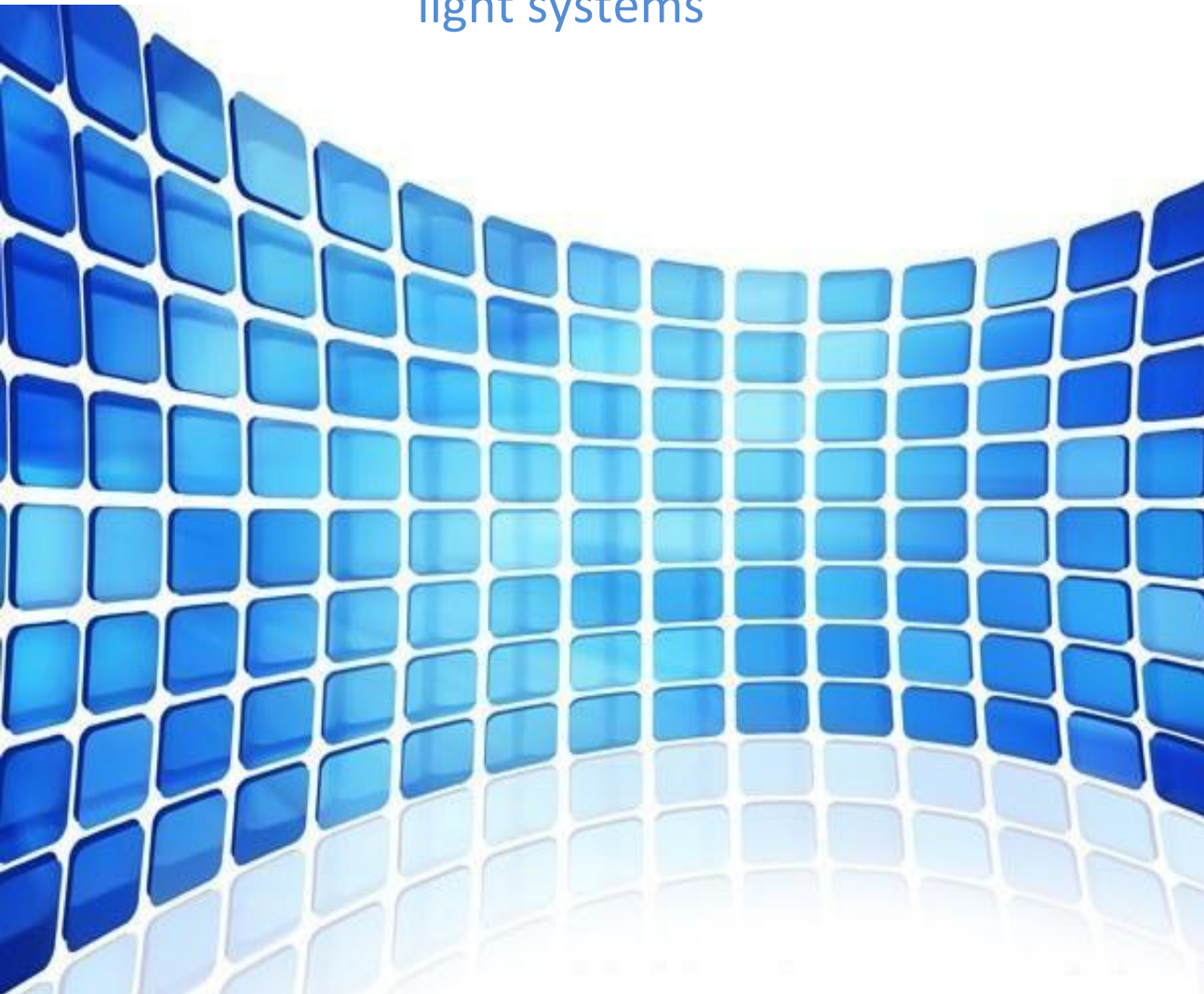


MED + DITERRANEAN

medical supplies & equipment

Product catalogue 2013
Surgical & examination
light systems

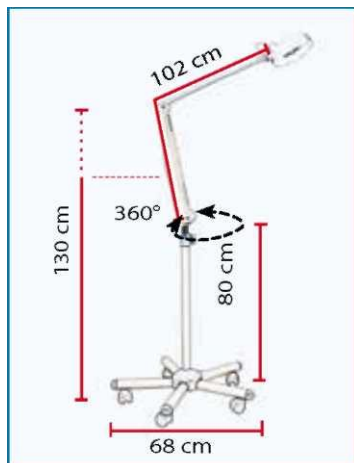




LED magnifier luminaire

CIRCLELED is a LED magnifier luminaire suitable for countless fields of application. Ideal for each use where light and clearness of details are needed it can be used in the medical, dental, dermatologic and cosmetic sector.

It is a perfect tool for an accurate control of details. Supplied with biconvex magnifier made of scratch-resistant optical glass with a diameter of 120 mm and a magnification of 3 diopters (5 on demand).



CIRCLELED is easy to be moved and positioned and has a simple and functional design. Its arm is strong and light at the same time and gives stability to the magnifier once positioned avoiding its lowering. Test has pointed out that even after more than 20.000 movings there is no wear and tear of the materials hence the light head remains in the desired position over the years

TECHNICAL FEATURES

LED average life	50.000 hours abt
Voltage	90 - 240V - 50/60 Hz
Power consumption	20W
Light head diameter	23 cm
Magnifier diameter	12 cm
Magnifier	3 diopters (5 on demand)
Light head weight	1 kg
Trolley weight	3 kg
Painting	White RAL 9002/9010

LED examination light for diagnosis & minor surgery

Soled 15 is the LED examination light for diagnostics, minor surgery and universal applications. It can be used for intensive care, recovery room, first aid, cosmetic and dental sector.

The high technological level combined with the use of high-powered LEDs allows SOLED 15 to have a very linear yield and negligible performance decay for its entire life duration.

Thanks to the high efficiency achieved, SOLED 15 has a light intensity of 65.000 lux and a low power consumption (22W). The LEDs layout gives a visual comfort and produces a uniform, homogeneous and shadow less light.



TECHNICAL FEATURES

Power supply	100 - 240 VAC - 50/60 Hz
DC voltage	24 VDC
Power consumption	22W
Product class (EN 60601-2-41)	I
Light source	LEDs
Led average life	50.000 hrs about
Lighting at the centre, Ec @ 100 cm	65.000 lux
Light adjustment	0 - 100%
Colour temperature, CCT	4.900 °K
Colour rendering index, Ra	95
Temperature increase on patient	1°C about
Light field dimension d50 @ 100 cm	10 cm
Light field dimension d10 @ 100 cm	19 cm
Lighting depth L1+L2	98 cm
Light head weight	2,5 Kg
Light head diameter	22 cm
Ceiling pole and arm weight	5,5 Kg - 8,5 Kg
Wall arm weight	4,8 Kg
Trolley weight	17 Kg
Handle	Removable and sterilizable
Painting	White RAL 9002

LED Single Light Examination Lamp

STARLED1 EVO is an examination lamp which, thanks to an innovative illumination system based on LED technology (Light Emitting Diodes) offers an exceptional performance fit to meet the needs of those who use it, eliminating the disadvantages of conventional lighting.

Cold Light

LEDs produce a light beam without infrared rays (IR) and therefore without heat. This cold light will not alter or change the target temperature on the surgical field or on the surgeons head.

White Light

Thanks to the new LED technology it produces an unparalleled quality of light.

The light colour temperature (CCT) is 4.900 °K as sun light and the colour rendering index (CRI) is 95.

Efficiency

While the conventional light bulb starts losing efficiency from its first stage of use, high-powered LED have a very linear yield and negligible performance decay for their life duration.



Technical features

Max. light power	60.000 lux @ 50 cm
Ligth adjustment	0-60.000 lux
Light field diameter (d50)	9 cm @ 50 cm
Colour temperature	4.900 °K
Colour rendering index (Ra)	95
Temperature increase on the operative field	0 °C
LED average life	50.000 hours abt.
Voltage	90-240V - 50/60 Hz
Low DC voltage version	12 VDC
Power consumption	12W
Light head diameter	12 cm
Light head and arm weight	1 kg
Trolley weight	3 kg
Painting	White RAL 9002

LED for diagnosis and surgical use

STARLED 3 EVO PLUS®

LED Lamp for diagnosis

STARLED 3 EVO PLUS is the lamp for diagnosis and surgical use which thanks to an innovative illumination system based on LED technology (Light Emitting Diodes) offers exceptional performance advantages with state of the art technology.

STARLED 3 EVO PLUS guarantees:

- Cold light
- White light
- Long life
- Superb efficiency
- Microprocessor controlled
- Digital commands

STARLED 3 EVO PLUS, completely digital, is controlled by microprocessors and has a new I-sense control panel which grants an extremely simple and ergonomic way of regulating and visualizing light intensity, ENDO function (light up) as well as the selection of the three lights that form it. Based on the needs, it can be used with one, two or three of its lights.



Technical features

DC voltage Power consumption Product class (EN 60601-2- 41) Light source
Average life
Lighting at the centre , Ec @ 100 cm Light adjustment Lighting area surface
Colour temperature, CCT Colour rendering index, Ra Light efficiency Power
supply IR irradiation UV irradiation Irradiation/Lighting Ratio Light field
dimension d50 @ 100 cm Light field dimension d10 @ 100 cm Focusable
working distance Lighting depth L1+L2 Light head weight Light head
diameter Max overall light head rotation Single ceiling arm weight Wall arm
weight Trolley weight Painting Handle
33 VDC 55W I
LEDs
50.000 hrs 130.000 lux from 100% to 10% 148 cm² 4.900 °K 95
70 lm/W
100 - 240 VAC +10% 50/60Hz 0.026 W/m² 0.022 W/m² 0.356 mW/m²*lux
10 cm 19 cm 70-150

LED surgical lamp

STARLED 5®

Evolution, precision and reliability in the operating room

STARLED 5 is a surgical lamp made with LED technology born to meet the needs in the operating room guaranteeing excellent performance, precision, long life and consumption management. The revolutionary LED technology (light emitting diode) is the base of all the lamps of the STARLED Series.



STARLED 5 has:

- high quality illumination level for each kind of surgery
- colour temperature of 4900 °K which represents perfectly the contrast of the surgical area
- clear luminosity at 135.000 lux (160.000 lux optional)
- exceptional duration with low consumptions
- colour rendering index of 95 (CRI)
- IR- free light without heat
- ergonomics for an extraordinary simplicity of use and easy positioning for the medical team
- **I-SENSE®** revolutionary control system for a simple, fast and precise management.
- a system for the light field dimension adjustment thanks to the light beam focusing, possible through a simple rotation of the handle

• TECHNICAL FEATURES

Power supply	100-240 VAC ±10%
Power consumption	130 W
Frequency	50/60 Hz
Product Class (EN60601-2-41)	I
Light source	LEDs
Average life	50.000 h
Max power	120 W
Lighting at the centre, E _c @ 100 cm	135.000 lux (160.000 lux optional)
Intensity adjustment	from 100% to 5%
Colour temperature, CCT	4.900 °K ± 5%
Colour rendering index, Ra	95 ±1
Chromaticity coordinates	x= 0.34 , y= 0.34
Light field size d10 @ 100 cm	26 cm
Light field size d50 @ 100 cm	13 cm
Lighting depth L1+L2	111 cm
Dimensions, weights, other data	
Light head weight	14 Kg
Main colour	RAL 9002

LED surgical lamp

OT - STARLED 7 is the surgical lamp that opens a new era in the illumination field for the operating room.

OT - STARLED 7 has been studied expressly to improve working conditions of the surgeon combining its sole technical features with a unique design enhancing visual comfort, hygiene and laminar flows compatibility. It produces:



- High performance illumination for every type of surgery
- A colour temperature that guarantees an excellent contrast in the operating field
- **ACRIS®**, an intelligent system patented
- Colour rendering index of 95 (CRI)
- Clear and sharp brightness at 160.000 lux
- IR-free light without heat in the surgical area and on the surgeon's head
- Shadows adjustment in the surgical field for total illumination of the surface and at depth -

BRIGHTNESS ADAPTER

- Ergonomics for an extraordinary familiarity in use and quick and easy positioning for the medical team
- **I - SENSE®**, a revolutionary control system patented
- A range for the integration of multimedia solutions
- Exceptional duration ensuring easier management and safe investments for the future
- **LIGHT - UP®**, the light beams coming from the upper part of the lamp, ensures adjustable illumination levels according to the different applications

Technical features

Power supply	100-240 VAC
Power consumption	190 W
Frequency	50/60 Hz
Product Class (EN60601-2-41)	I
Light source	LEDs
Average life	50.000 hrs
Max power	180 W
Lighting at the centre, Ec @ 100 cm	160.000 lux
Intensity adjustment	from 100% to 0%
Colour temperature, CCT	4.900 °K ± 5%
Colour rendering index, Ra	95 ±1
Chromaticity coordinates	x = 0.34 , y =
Light field size d10 @ 100 cm	26 cm
Light field size d50 @ 100 cm	13 cm
Lighting depth L1+ L2	114 cm
Dimensions, weights, other data	
Light head weight	18 Kg
Light head dimension	80 cm
Main colour	RAL 9002
Low ceiling heights arms (LCH)	Optional

VIDEO CAMERA

	ACS standard	ACE optional	ACHD optional
Sensors type	Fixed focus CCD 1/3	Zoom SUPER HAD II CCD 1/3	Zoom 1/3 type CMOS
Number of pixels - Standard PAL	440.000	440.000	2.000.000
Horizontal resolution (LTV) - PAL	520 TV LINES	530 TV LINES	1.0800 = FULL HD
S/N ratio (dB)	> 50	> 50	> 50
Zoom	/	120x (10x optical + 12x digital)	120x (10x optical + 12x digital)
Focal length (mm)	f = 16	f = 4,2 to f = 42	f = 5,1 to f = 51
Min. working distance (mm)	700	150	100
Aperture	F = 2,8	F = 1,8 to F = 2,1	F = 1,8 to F = 2,1
Antiflicker	Integrated	Integrated	Integrated
Autofocus	/	Integrated	Integrated
Sensitivity (lx)	1	0,25	12
Video camera location		inside the central handle right head or on additional arm of the	
Power supply		Integrated into the lamp	
White balance	Auto	Auto/manual	Auto/manual
Camera controls	/	On lamp or by remote	On lamp or by remote
Outputs	Composite 75 ohm	Composite 75 ohm	Component y/Pb/Pr
Serial interface	/	Visca	Visca

MED.DITERRANEAN S.P.

Medical supplies & equipment

Proseliou 3, Paiania 19002

Athens Greece. Tel. +30 211 212 8485 / mobile: +30 6956 094 025

WWW.MEDDITERRANEAN.COM